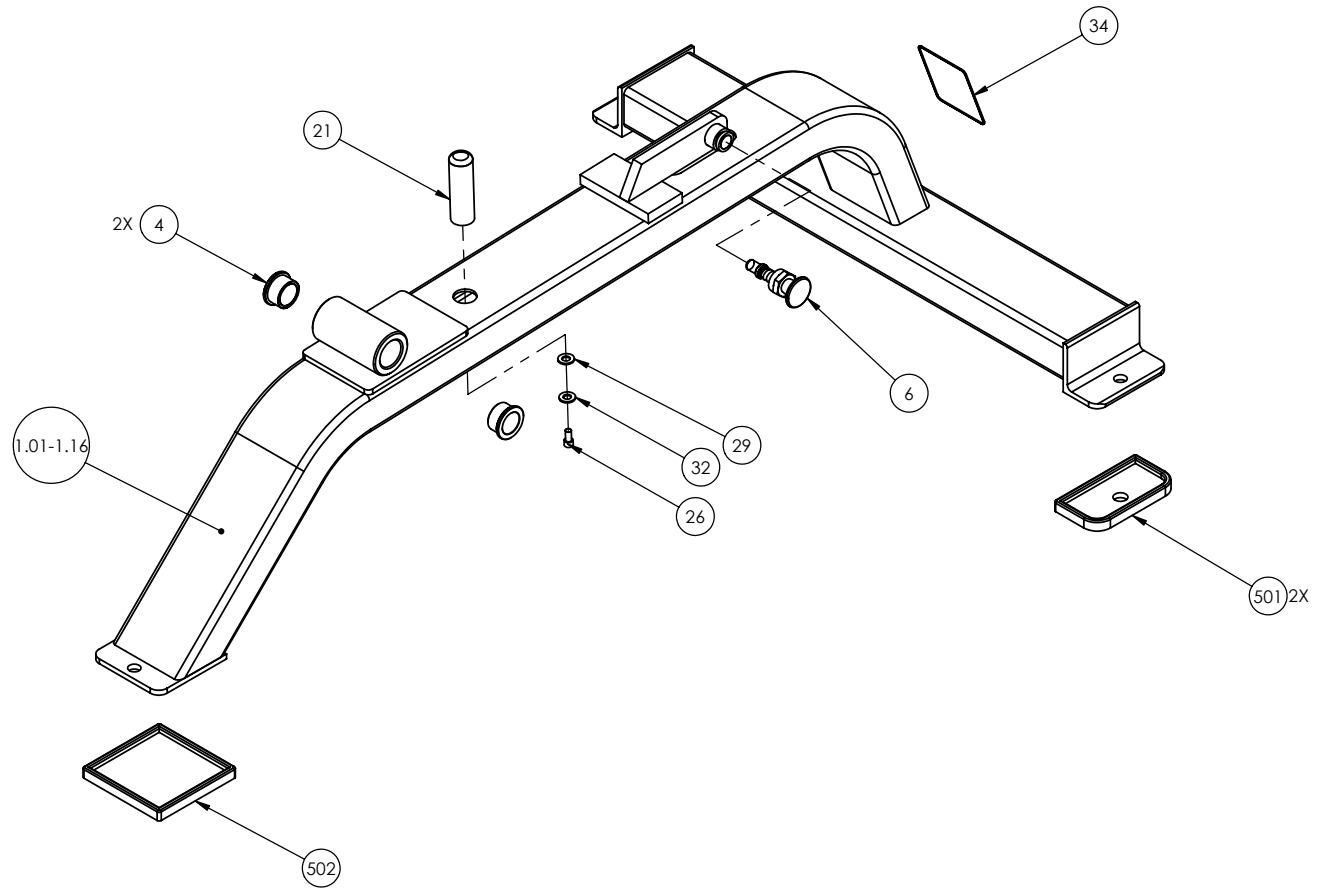
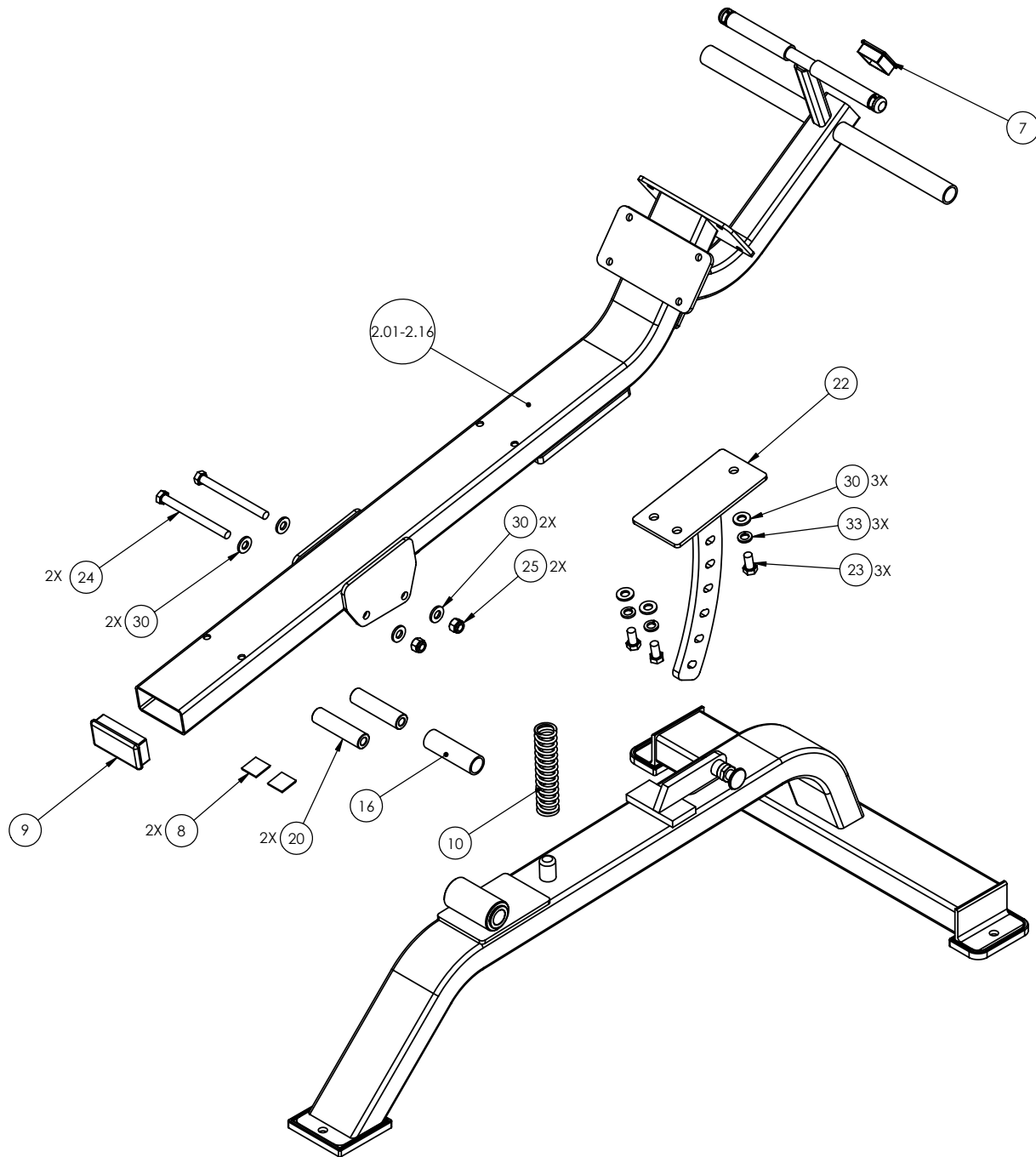


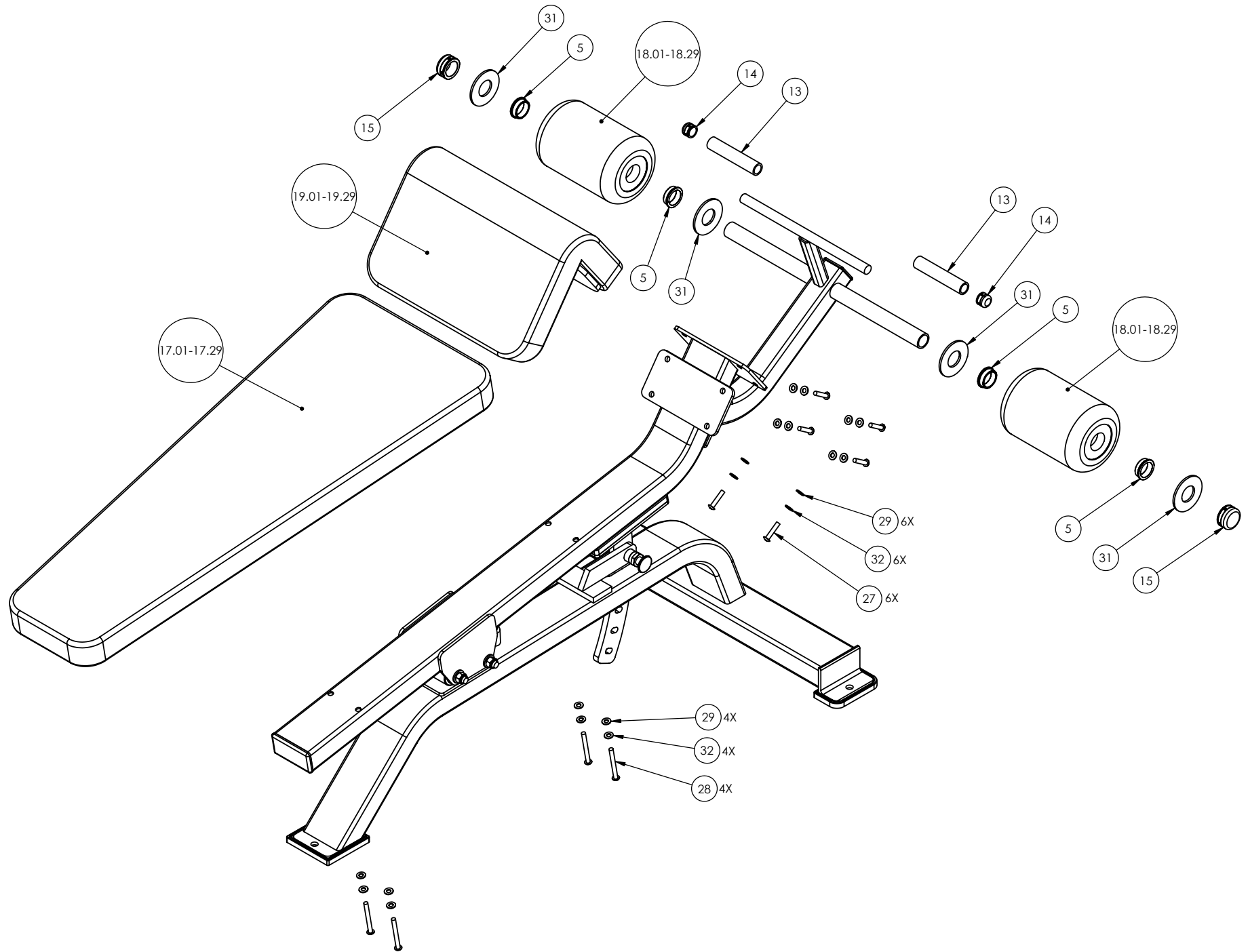
113	P/N : CW30925-101	SUBREV : B
DRAWN BY : CT	DATE : 09.21.05	SHEET 1 OF 4



113	P/N : CW30925-101	SUBREV : B
DRAWN BY : CT	DATE : 09.21.05	SHEET 2 OF 4



113	P/N : CW30925-101	SUBREV : B
DRAWN BY : CT	DATE : 09.21.05	SHEET 3 OF 4



113	P/N : CW30925-101	SUBREV : B
DRAWN BY : CT	DATE : 09.21.05	SHEET 4 OF 4

113 Adjustable Decline Bench

Part Number	Description	Bubble Number
CW113SA1-211	ASSY,FRAME,MAIN,113,SKY WHITE	1.01
CW113SA1-311	ASSY,FRAME,MAIN,113,STONE H	1.11
CW113SA1-321	ASSY,FRAME,MAIN,113,TITANIUM HG	1.12
CW113SA2-211	ASSY,FRAME,SEAT,113,SKY WHITE	2.01
CW113SA2-311	ASSY,FRAME,SEAT,113,STONE HG	2.11
CW113SA2-321	ASSY,FRAME,SEAT,113,TITANIUM HG	2.12
CWAC1001-101	LABEL, "ICARIAN", 1 1/2 X 8 1/8	3
CW10043-134	BUSHING, BRONZE, 1" ID X 1 1/4" OD	4
CW10043-135	BUSHING, BRONZE, 1 1/4" ID X 1 1/2"	5
CW30165-752	ASSY, POP PIN, 0.450 DIA NOSE, BLU	6
CW11311-103	ENDCAP, REC TUBE, 2X2, BLK PLASTIC	7
CW12575-101	MOULDED BUMPON, BLACK, 31.75MM SQ (8
CW11311-102	ENDCAP, REC TUBE, 2X4, BLK PLASTIC	9
CWAC115-8731	SPRING, COMPRESSION, 1 9/32 OD X 1	10
CW34822-101	LABEL, "ASSEMBLED IN THE USA"	11
CWAC1164-101	LABEL, F.P.I. SERIAL NUMBER	12
CWAC220-901	HANDLE END CAP W/SET SCREWS, DIA 3/	14
CWAC221-901	SHAFT END CAP W/SET SCREWS, DIA 1 1	15
CWGR4604-000	GRIP, RUBBER, 1.00" OD HANDLE, 4.00	16
CWPD1208J-101	PAD,9X17X42,4HOLES,W/BP,BLACK,W/SLI	17.01
CWPD1401A-101	PAD,5.625ODX1.5IDX8.125,BLACK	18.01
CWPD1505B-101	PAD,ANG,2P(6X17)(9X17)BLK	19.01
CWPF3441-741	BAR, STEEL, RND, CLR ZN	20
CWPF1457-741	BAR,STEEL, RND, DIA 1" X (3 1/4), 1	21
CWSA1111-721	ASSY,SICKLE,6 POS 25 DEG RANGE, WRK	22
CWHCYN050-100	SCREW,HEX HEAD,BLK XYLAN,1/2-13 X 1	23
CWHADYN050-550	SCREW, HEX,BLK, 1/2-13 X 5 1/2 FUL	24
CWKDYN050-059	LOCKNUT, NYLON INSERT, FULL, UNC, 1	25
CWTAYN031-050	SCREW, BUTTON HEAD, BLK XYLAN, 5/16	26
CWTAYN031-150	SCREW, BUTTON HEAD, BLK XYLAN, 5/16	27
CWTAYN031-300	SCREW, BUTTON HEAD, BLK XYLAN, 5/16	28
CWWBKN031-007	WASHER, FLAT, TYPE A, SAE, 5/16 ID	29
CWWBKN050-010	WASHER, FLAT, TYPE A, SAE, 1/2 ID X	30
CWWNKN138-016	WASHER, FLAT, 1 3/8 ID X 3 OD, 0.15	31
CWWALYN031-008	WASHER, SPLIT, 5/16 ID, BL	32
CWWALYN050-013	WASHER, SPLIT, 1/2 ID, BLK XYLAN	33
CW31759-101	LABEL, SMALL PRECOR USA ICARIAN LIN	34
CWAC1179-101	FLOOR PROTECTOR, RUBBER, 4.813 X 2.	501
CWAC1181-101	FLOOR PROTECTOR, RUBBER, 4.563 X 4.	502